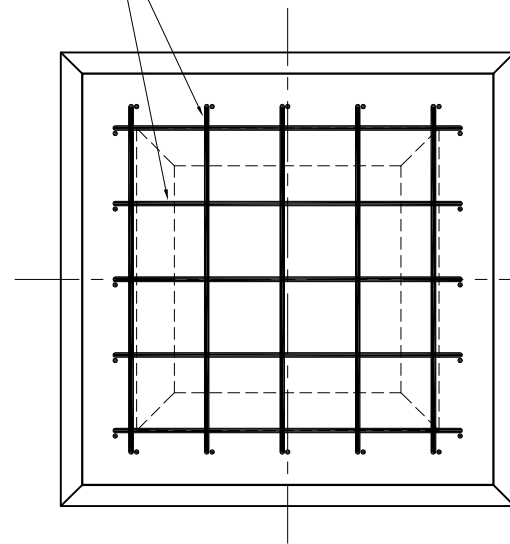
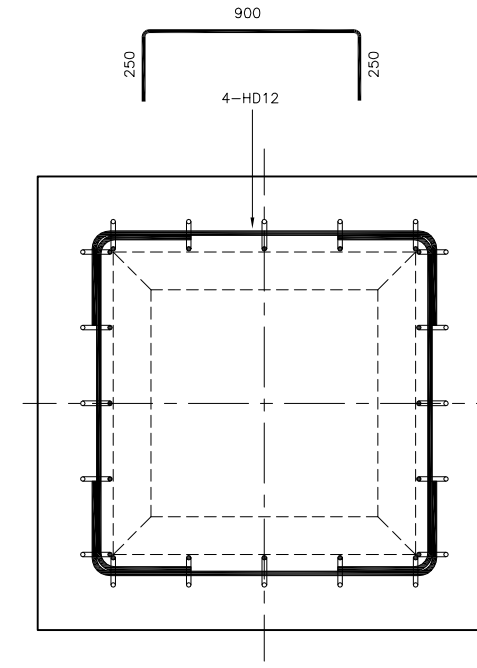


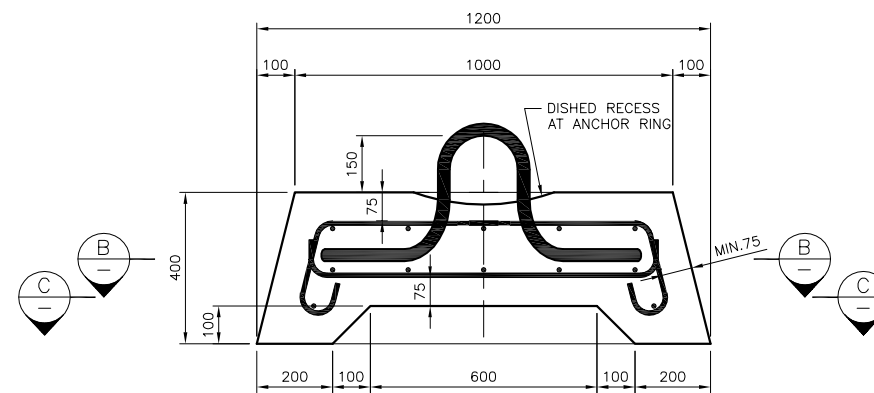
PLAN
Scale 1:50



SECTION B
Scale 1:10



SECTION C
Scale 1:10



SECTION A
Scale 1:10

NOTE:

1. CONCRETE TO HAVE MIN 28 DAY COMPRESSIVE STRENGTH OF 20 MPa
2. MIN. CONCRETE COVER TO STEEL 75mm
3. DRY AIR WEIGHT = 1000 kg
4. SUBMERGED WEIGHT = 573 kg

Amendments	Rev'n	Date	Drawn	Issued for	Checked	Approved	Date
							10/03

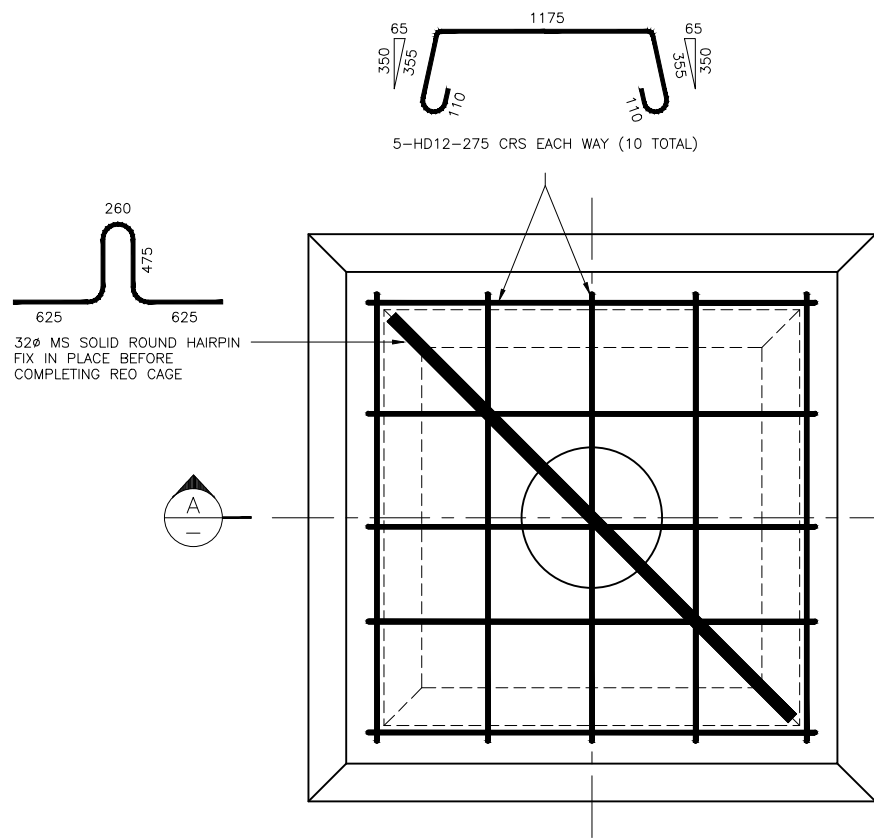
OCEL CONSULTANTS NZ LIMITED
 272-276 Antigua Street
 PO Box 877
 Christchurch
 Tel (03) 3790444
 Fax (03) 3790333

49 Crown Hill Street
 PO Box 151
 New Plymouth
 Tel (067) 512310
 Fax (067) 512310

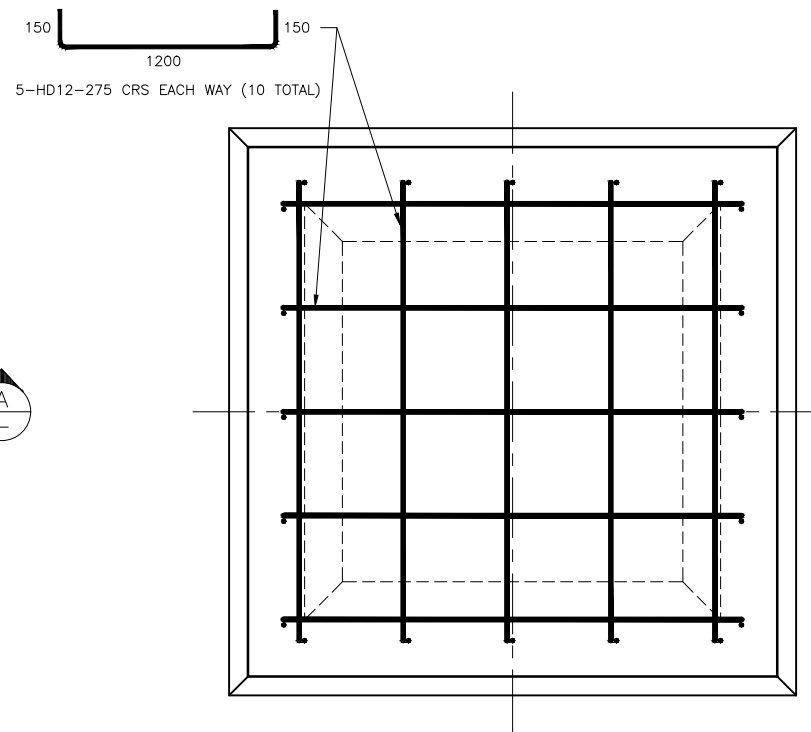
This drawing and its content is the property of OCEL Consultants NZ Limited
 Any unauthorised use or reproduction of it is forbidden

**STANDARD 1 TONNE MOORING BLOCK
 GENERAL DETAILS**

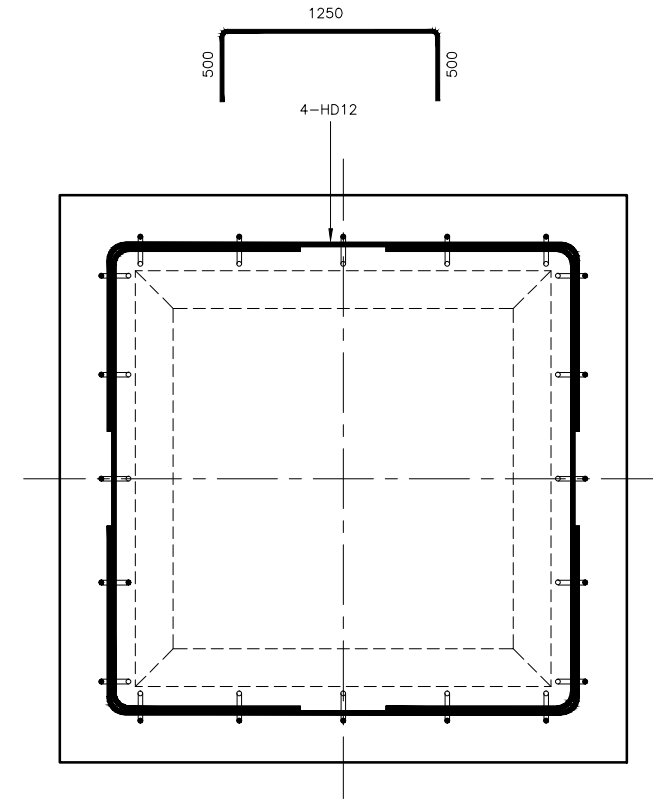
Scale (A1)	ACAD Filename
1:10, 5	LIBRARY/MOORING BLOCK/1 TONNE
Drawing No.	Rev.
DR-1 TONNE	-



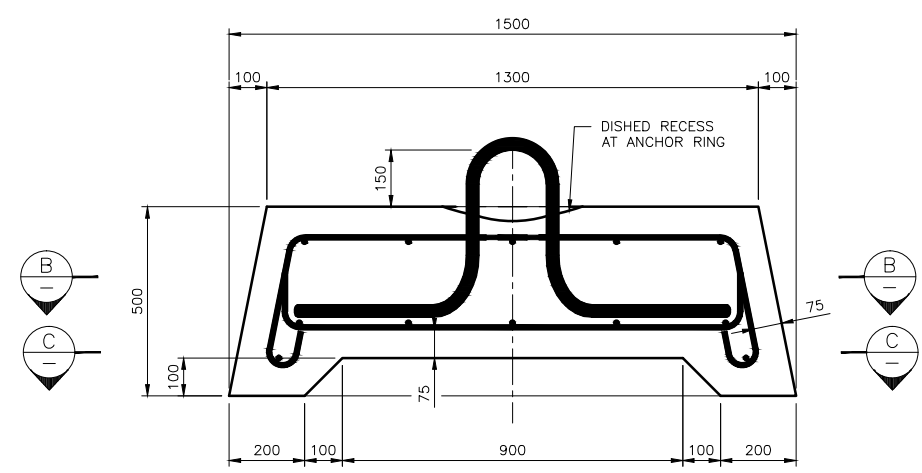
PLAN
Scale 1:50



SECTION B
Scale 1:10



SECTION C
Scale 1:10



SECTION A
Scale 1:10

- NOTE:**
1. CONCRETE TO HAVE MIN 28 DAY COMPRESSIVE STRENGTH OF 20 MPa.
 2. MIN. CONCRETE COVER TO STEEL 75mm
 3. DRY AIR WEIGHT = 2000 kg
 4. SUBMERGED WEIGHT = 1145 kg

Amendments	Rev'n	Date	Drawn	Issued for	Checked	Approved	Date
BOTTOM LAYER BAR NUMBERS AMENDED	1	13/07/12	RVE				

ocel CONSULTANTS NZ LIMITED

272-276 Antigua Street
PO Box 877
Christchurch
Tel (03) 3790444
Fax (03) 3790333

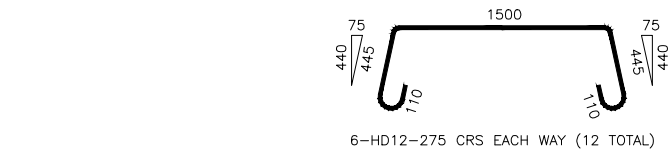
49 Crown Hill Street
PO Box 151
New Plymouth
Tel (067) 512310
Fax (067) 512310

This drawing and its content is the property of OCEL Consultants NZ Limited
Any unauthorised use or reproduction of it is forbidden

STANDARD 2 TONNE MOORING BLOCK

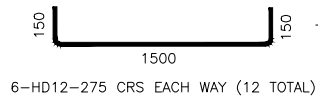
GENERAL DETAILS

Scale (A1)	ACAD Filename
1:10, 5	LIBRARY/MOORING/2_TONNER1
Drawing No.	Rev.
DR-2 TONNE	1

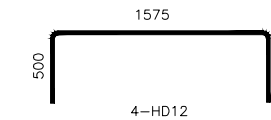


32 ϕ MS SOLID ROUND HAIRPIN
FIX IN PLACE BEFORE
COMPLETING REO CAGE

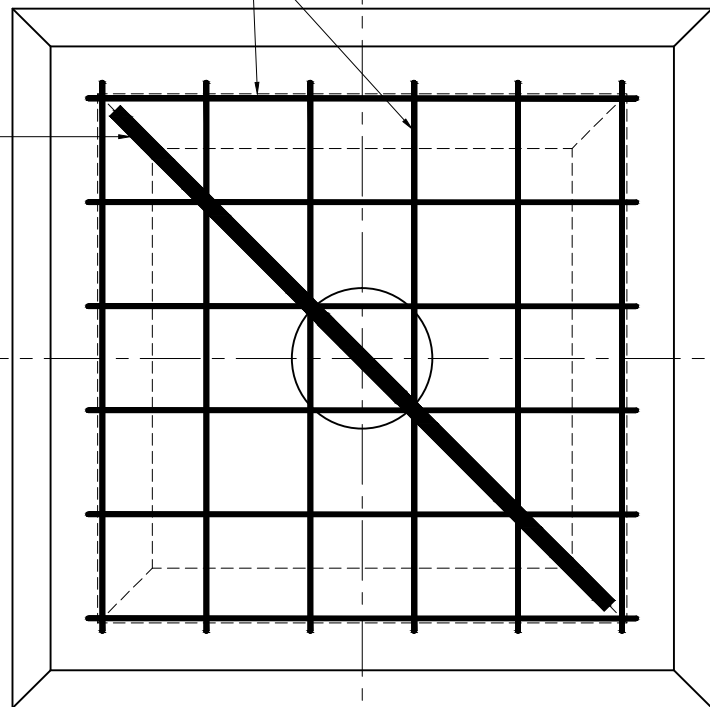
6-HD12-275 CRS EACH WAY (12 TOTAL)



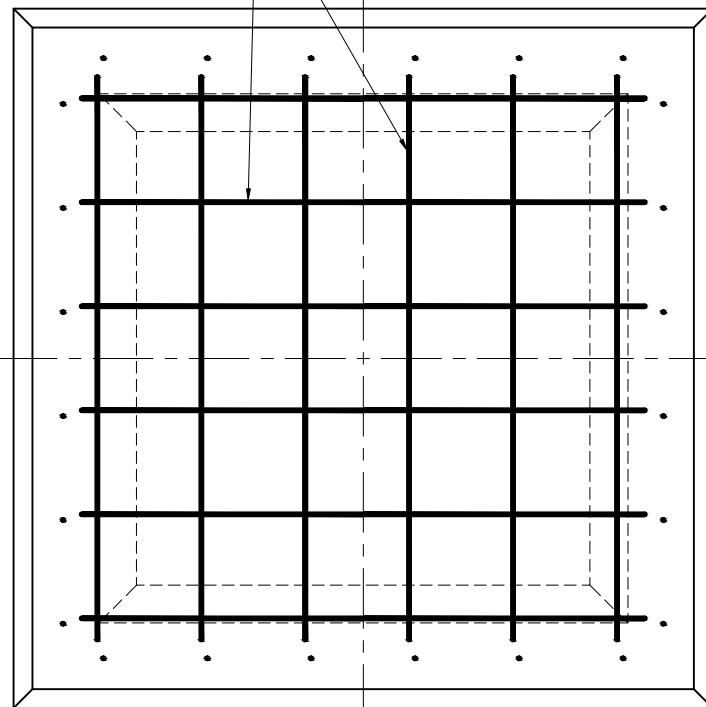
6-HD12-275 CRS EACH WAY (12 TOTAL)



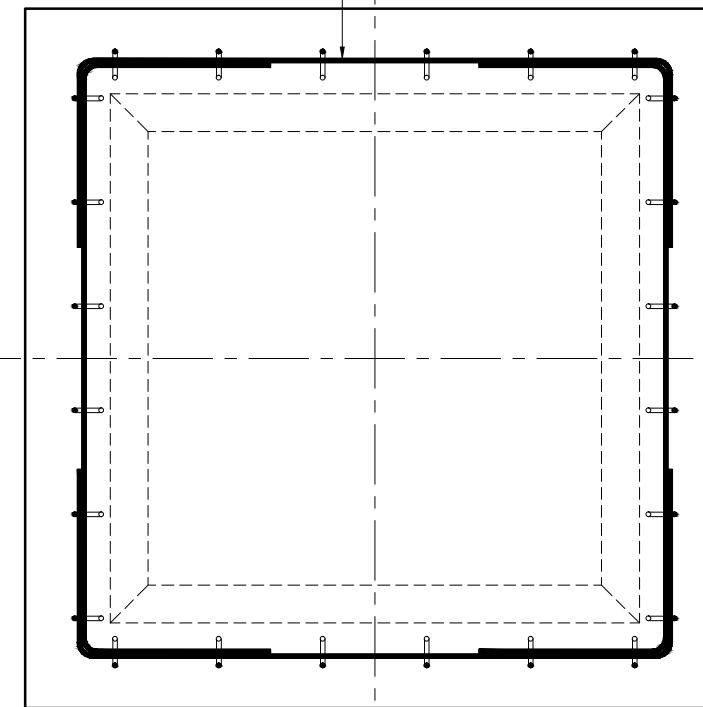
4-HD12



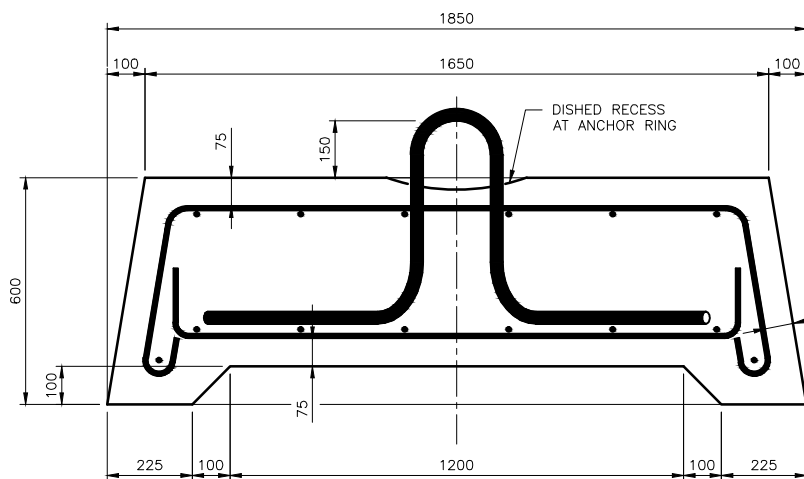
PLAN
Scale 1:20



SECTION B
Scale 1:20



SECTION C
Scale 1:20



SECTION A
Scale 1:20

NOTE:

1. CONCRETE TO HAVE MIN 28 DAY COMPRESSIVE STRENGTH OF 20 MPa
2. MIN. CONCRETE COVER TO STEEL 75mm
3. DRY AIR WEIGHT = 4000 Kg
4. SUBMERGED WEIGHT = 2290 Kg

Amendments	Rev'n	Date	Drawn	Issued for	Checked	Approved	Date
-	-	-	-	-	-	-	-
-	-	-	-	-	-	-	-

OCEL CONSULTANTS NZ LIMITED

272-276 Antigua Street
PO Box 877
Christchurch
Tel (03) 3790444
Fax (03) 3790333

49 Crown Hill Street
PO Box 151
New Plymouth
Tel (067) 512310
Fax (067) 512310

This drawing and its content
is the property of
OCEL Consultants NZ Limited
Any unauthorised use
or reproduction of it is
forbidden

**STANDARD 4 TONNE MOORING BLOCK
GENERAL DETAILS**

Scale (A3)	ACAD Filename
1:20	LIBRARY/MOORING BLOCK/4 TONNE
Drawing No.	Rev.
DR-4 TONNE	-